

JZC-36F

SUBMINIATURE INTERMEDIATE POWER RELAY



File No.:E133481



File No.:CH0039695-99



Features

- 10A switching capabilities
- SPST-NO and SPDT configurations
- Sealed and Unsealed type available

CONTACT DATA

Contact Arrangement	1A, 1C
Initial Contact Resistance Max.	100mΩ(at 1A 6VDC)
Contact Material	Silver alloy
Contact Rating (Res. Load)	10A 250VAC 10A 30VDC TV-5 125VAC
Max. switching voltage	250VAC/30VDC
Max. switching current	10A
Max. switching power	2500VA/300W
UL/CUR rating	10A 250VAC 10A 30VDC TV-5 125VAC
Mechanical life	1 x 10 ⁷ ops
Electrical life	1 x 10 ⁵ ops

COIL

Coil power	Sensitive:0.25W Standard:0.53W
------------	--------------------------------

COIL DATA

Standard Type

Nominal Voltage VDC	Pick-up Voltage VDC	Drop-out Voltage VDC	Max. allowable Voltage VDC(at 20°C)	Coil Resistance Ω
5	3.75	0.25	6.5	47 ± 10%
6	4.50	0.30	7.8	68 ± 10%
9	6.75	0.45	11.7	155 ± 10%
12	9.00	0.60	15.6	270 ± 10%
18	13.5	0.90	23.4	620 ± 10%
24	18.0	1.20	31.2	1080 ± 10%
48	36.0	2.40	62.4	4400 ± 10%

Sensitive Type

Nominal Voltage VDC	Pick-up Voltage VDC	Drop-out Voltage VDC	Max. allowable Voltage VDC(at 20°C)	Coil Resistance Ω
5	3.75	0.25	6.5	100 ± 10%
6	4.50	0.30	7.8	145 ± 10%
9	6.75	0.45	11.7	325 ± 10%
12	9.00	0.60	15.6	575 ± 10%
18	13.5	0.90	23.4	1300 ± 10%
24	18.0	1.20	31.2	2310 ± 10%
48	36.0	2.40	62.4	

CHARACTERISTICS

Initial Insulation Resistance	1000MΩ (500VDC)	
Dielectric Strength	Between coil and Contacts	NO: 4000VAC 1min
	Between open contacts	NC: 3000VAC 1min
Operate time (at nomi. Volt.)	15ms	
Release time (at nomi. Volt.)	5ms	
Temperature rise	Max. 55°C(at nomi. volt.)	
Humidity	35 to 85%RH	
Ambient temperature	-40°C to 70°C	
Shock Resistance	Functional	200 m/s ²
	Destructive	1000 m/s ²
Vibration Resistance	10 to 55 Hz(Amplitvde of 1.5mm)	
Termination	PCB	
Unit weight	Approx.12g	
Construction	Sealed & Unsealed	



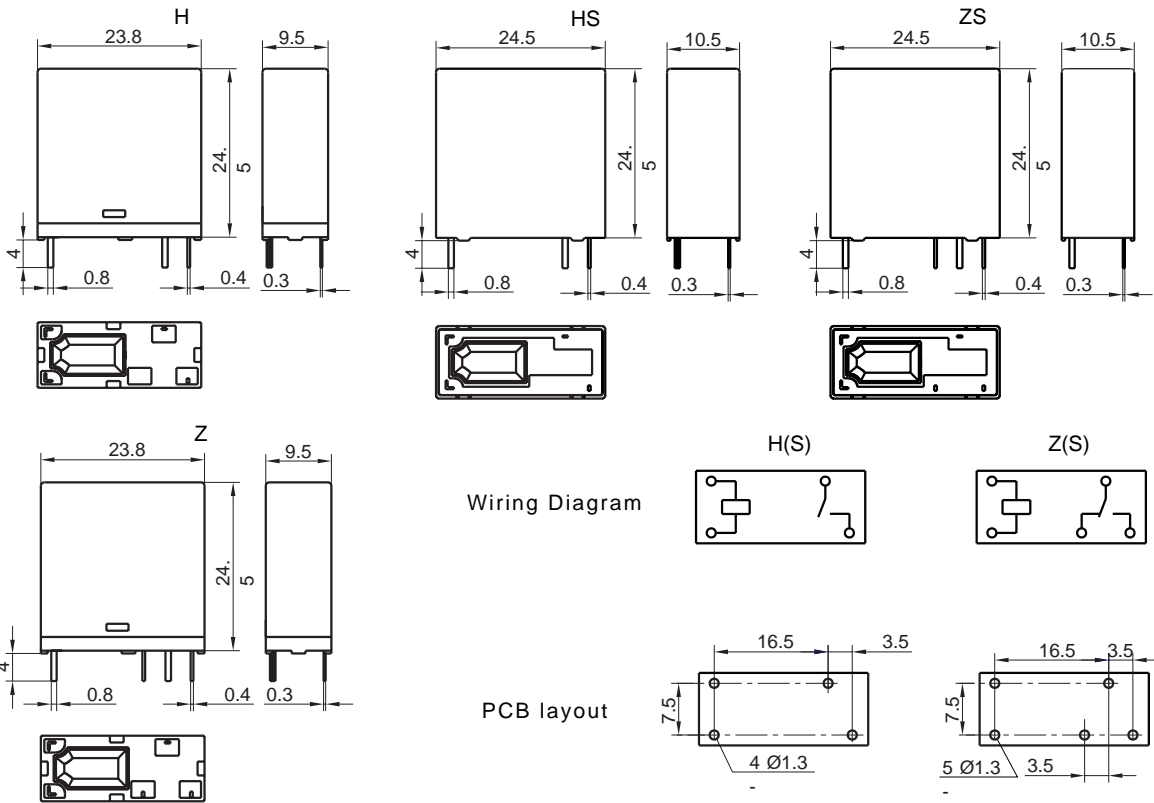
HONGFA RELAY
ISO9001/QS9000/ISO14000 CERTIFIED

ORDERING INFORMATION

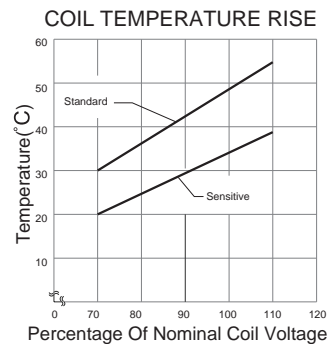
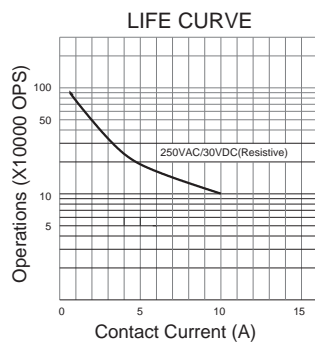
Type	JZC-36F / 012 H S L T
Coil voltage	5, 6, 9, 12, 18, 24, 48VDC
Contact arrangement	H:1A(SPST-NO) Z:1C(SPST-NC)
Structure	Nil: Unsealed S: Sealed
Coil Power	NIL: Standard L: Sensitive
Contact Material	Nil:AgCdO T:AgSnO

OUTLINE DIMENSIONS, WIRING DIAGRAM AND PC BOARD LAYOUT

Outline Dimensions



CHARACTERISTICS CURVE



This datasheet has been downloaded from:

www.DatasheetCatalog.com

Datasheets for electronic components.